



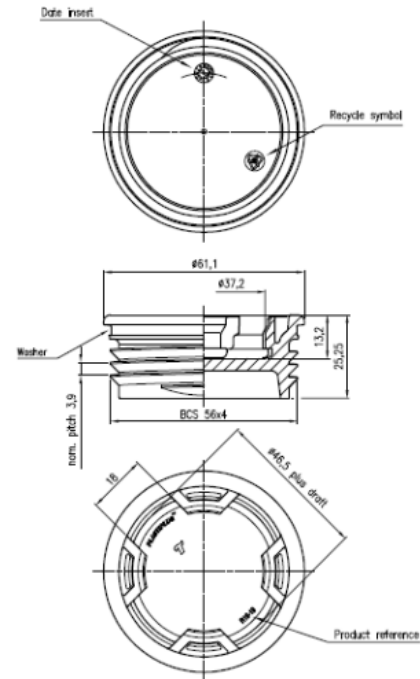
COD. TAPCOEN: 070063

GENERAL INFORMATION

- Product group: Manufactured in compliance with ISO-15750-3(steel) & ISO-20848-3(plastic)
- Material: Polypropylene
- Size: 56x4 PLASTIPLUG™ Plastic plug (4TPI-Buttress)
- Washer: Black Nitrile-Washer/Gasket: Black Nitrile Rubber (NBR) is resistant to Petroleum oils. Aromatic Hydrocarbons. Mineral oils. vegetable oils and many Acids. Black Nitrile has excellent sealing properties. Black Nitrile is not FDA compatible.

PACKAGING INFORMATION

- Component weight (grams): 26
- Box quantity (pieces): 500
- Box weight (kg): 13
- Pallet quantity: 13500
- Pallet weight (kg): 397



Material: PP

Item Number: CLPL00081CLR0001

Item Drawing: TSF-505099_5



